



شرکت فن آوران تهویه پیام  
نماینده انحصاری محصولات لیو در ایران



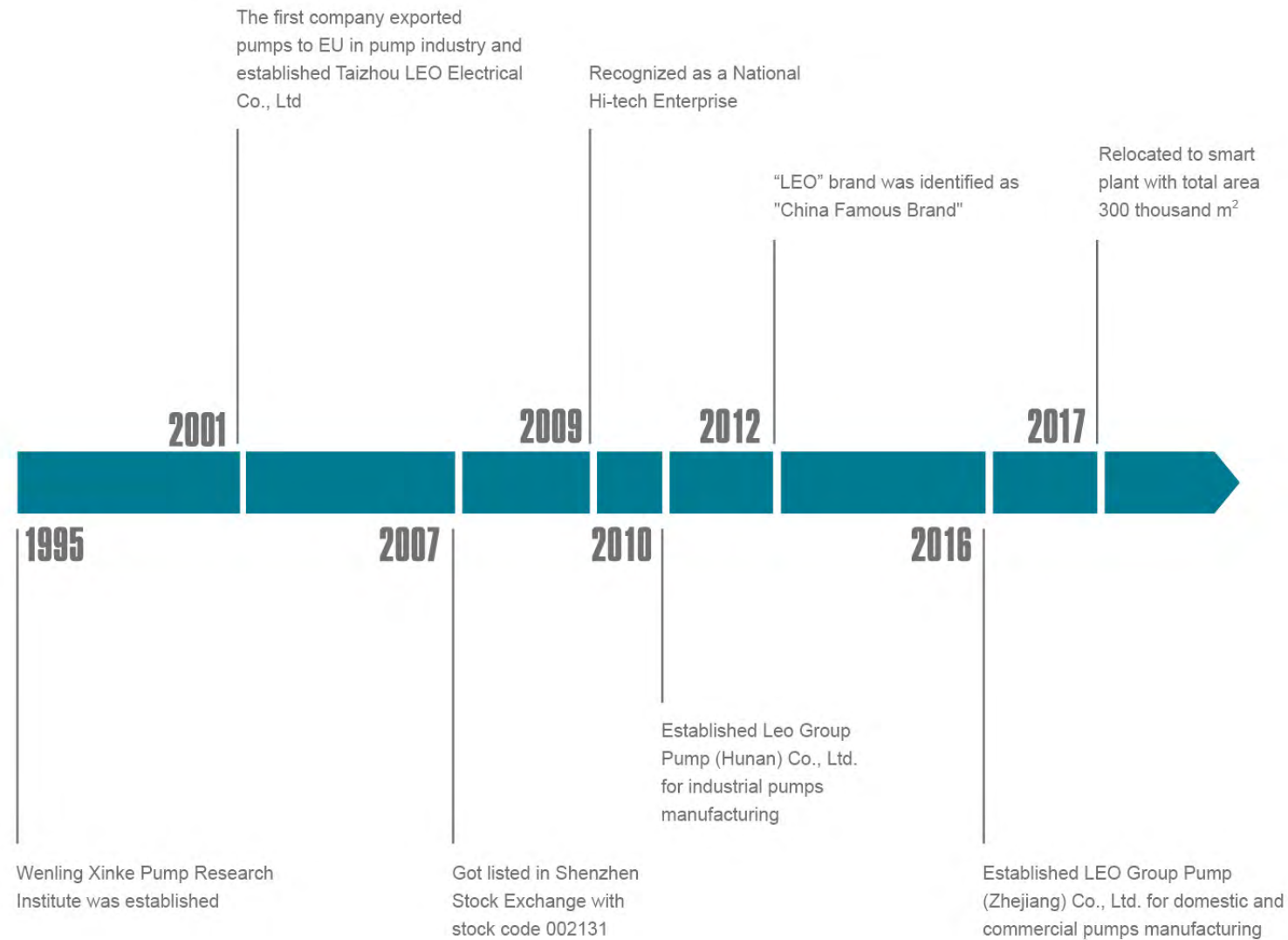
## Generators

• Gasoline Engine Generator





## HISTORY



## TO KNOW LEO

LEO Group (got listed in Shenzhen Stock Exchange with stock code 002131) is a national high-tech enterprise engaged in R&D, design, manufacture, sales and service of all series pumps and systems. LEO is the first listed company in Chinese pump industry, one of the drafters of pump industry standard and the vice president of drainage and irrigation machinery branch of China Agricultural machinery industry association as well. "LEO" has been identified as "China Famous Brand" by the State Administration of Industry and Commerce. It is mentionable that LEO has the only state-authorized technical center in pump industry.

We have set up many production and sales subsidiaries in key regional markets such as America, Hungary, Belgium, Thailand, Indonesia, United Arab Emirates and Bangladesh and authorized exclusive distribution agency in over 100 countries.

Our products have been sold to over 120 countries and regions, such as Europe, North America, Central & South America, Southeast Asia, Middle East, Africa, Oceania, etc., which play a crucial role in water conservancy, water resources, electric power construction, petrochemical industry, mining, metallurgy, fire-fighting, HVAC (Heating, Ventilation and Air Conditioning), agricultural irrigation, civil water supply and drainage, etc.

LEO has currently two industrial groups respectively for industrial and civilian applications. With four manufacturing bases in Wenzhou of Zhejiang, Xiangtan of Hunan, Wuxi of Jiangsu and Dalian of Liaoning, LEO possesses a solid foundation to become a world-class pump and system solution provider rapidly.

With over 70 years' professional technology, LEO will continue her consistent creativity and development ability in each pump for human's health.





## NUMEROUS MEMBERS, ONE FAMILY

Based on market segment, LEO's pump business is divided into 5 fields, namely water conservancy & water resources, power station, petrochemical industry, mining & metallurgical industry and civilian applications. For each field there's a professional manufacturing base with relevant professional sales teams. Three subsidiary companies, Wuxi LEO Xi Pump, LEO Group Pump (Hunan) and Dalian LEO Pump are all well-known industrial pump manufacturers in their own fields. With over 70 years' industrial pump manufacturing experience and extraordinary comprehensive strength, LEO has become a leading company among all industrial pump manufacturers in China.



### Pump Manufacturing Base for Domestic and Commercial Applications (Wenling City, Zhejiang Province)

LEO Group Pump (Zhejiang) Co., Ltd, a wholly-owned subsidiary of LEO Group Co., Ltd, is the core base for R&D, manufacturing, sales and service of domestic and commercial pumps for family water supply, pipeline boosting, garden and field irrigation, HVAC, etc.

The leading products include peripheral pump, jet pump, centrifugal pump, garden submersible pump, fountain pump, pool pump, doestic lifting station, gasoline engine pump, diesel engine pump, submersible pump, submersible borehole pump, submersible sewage pump, stainless steel vertical multistage pump, etc.

The product range covers 15 series with over 2,000 specifications, which are well sold in more than 120 countries and regions. The base has established steady cooperative relationships with world-class pump manufacturers, importers, dealers and hypermarkets.



### Pump Manufacturing Base for General Industrial Pumps (Xiangtan City, Hunan Province)

Established in 2010, LEO Group Pump (Hunan) Co., Ltd. is a wholly-owned subsidiary by LEO Group Co., Ltd. Located in Jiuhua Economic Development Zone of Xiangtan City, Hunan Province. Covers an area of 85,000m<sup>2</sup> and construction area is about 92,635 m<sup>2</sup> with total investment of approximately 74 million dollars. It is the most important R&D, manufacturing and testing center of LEO Group. The leading products include large mixed flow and axial flow pump (vertical, horizontal, oblique, tubular, submersible etc.), double-suction centrifugal pump, multistage centrifugal pump, slurry pump, desulphurization pump and submersible centrifugal pump. Products are mainly used in mine, metallurgy, coal washing, FGD, municipal water etc.



### Pump Manufacturing Base for Water Conservancy & Water Resources (Wuxi City, Jiangsu Province)

Formerly known as Wuxi Xi Pump Manufacturing Co., Ltd., a well-known manufacturer of water conservancy, is specialized in large and medium-sized pumps production for urban water supply and drainage, farmland irrigation, water conservancy projects and large water diversion project. The main products cover 32 series with nearly 1000 specifications. Products exported to more than 20 countries in Asia, Latin-America, Europe and Oceania.

As a main supplier, the base provides large pumps for South-to-North Water Diversion Project—a national key project. There are over 140 technicians, including 1 professor level senior engineer, 16 senior engineers, and 39 engineers.



### Pump Manufacturing Base for Petrochemical Industry (Dalian City, Liaoning Province)

It is the pump manufacturing base for petrochemical industry, combined with Dalian LEO Huaneng Pump Co., Ltd and LEO (Dalian) Industrial Pump Technology Center Co., Ltd.

Formerly known as Dalian Huaneng Corrosion-Resistant Pump Works, the base is specialized in production of petrochemical pumps for crude oil transportation, crude oil refinery, heavy chemical industry, coal chemical industry and fine chemistry, etc. The base focuses on design and manufacture of 30 series (OH, BB, VS, etc.) of petrochemical pumps with over 3000 specifications, which are in accordance with API and ISO standard.

LEO (Dalian) Industrial Pump Technology Center Co., Ltd. is one of the research branch of national level technology center for petrochemical pumps, specializes in R&D, design of pumps of petro chemistry, coal chemical industry, long-distance transport pipes, energy resources, fine chemicals industry, etc. Design and develop software and large laboratories, explore liquid transport schemes under severe conditions and solve the difficult projects of ultralow temperature, high temperature, high pressure, low cavitation, highly corrosive, energy recovery, etc.





### Large Fuel Tank

- 5L Large fuel tank easily meets long time operation requirement

### Lightweight Design

- More than 15% lighter than similar generator units

### Robot welding frame

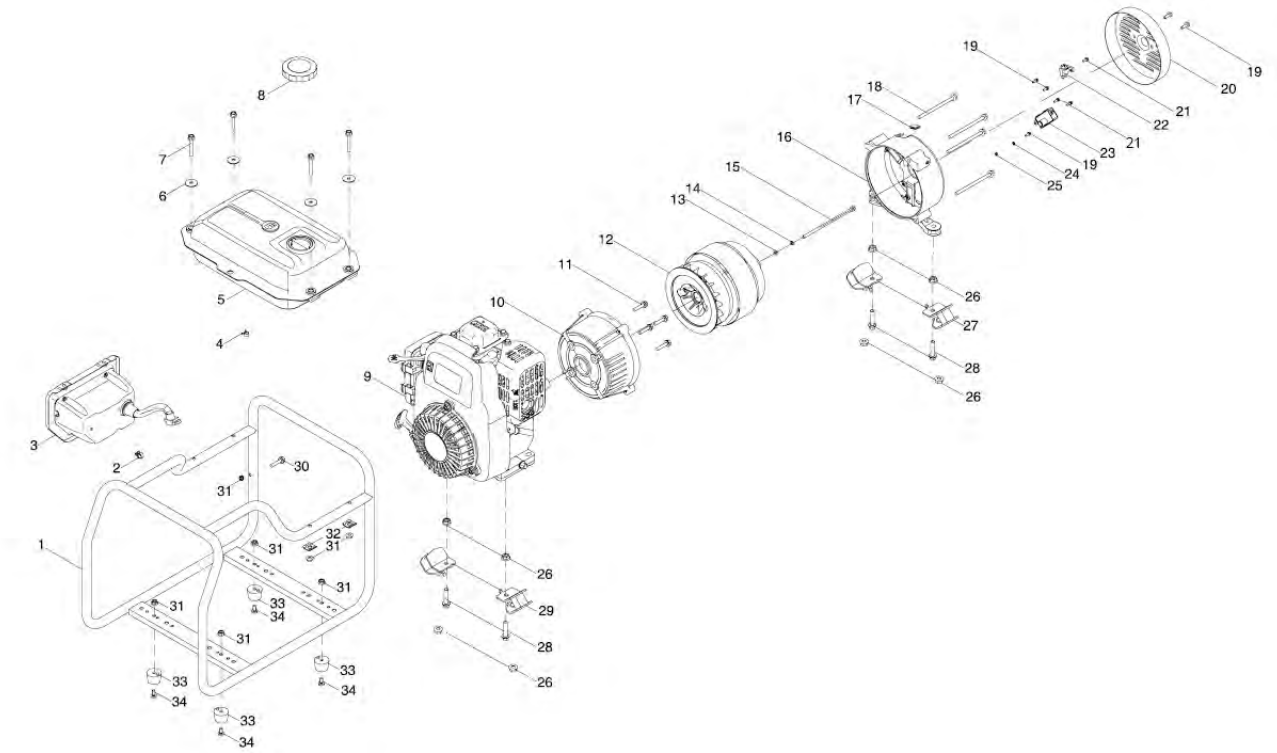
- To ensure beautiful appearance, less welding mark

### Cost-effective

## Specification

Model	PH1200		PH1800	
	<b>Generator</b>			
Starting System	Recoil Starting			
Alternator Material	100% Cu			
Frequency (HZ)	50Hz	60Hz	50Hz	60Hz
Voltage(V)	230	120(120/240)	230	120(120/240)
Rated Output (KW)	0.9	1	1.3	1.5
Max Output(KW)	1.2	1.3	1.5	1.8
THD(%)	≤20		≤20	
Running Time At 50% loading(H)	16	16	10	10
Fuel Tank Size (L )	5		5	
Noise dB(A)	95		95	
Insulation Grade	F		F	
	<b>Engine</b>			
Model	NH100		NH150	
Engine Type	OHV, Air Cooling, 4 Stroke			
Displacement (cc)	99		149	
	<b>Packing Details</b>			
Outside Packing Dimensions (mm) (L xW x H)	510×375×405		510×375×405	
20FT Loading Qty	340pcs		340pcs	
40FT Loading Qty	705pcs		705pcs	
40HQ Loading Qty	846pcs		846pcs	
Net Weight (kg)	23		25	
Certifications	CE+EC	/	CE+EC	/

## Materials Table



No.	Part	Specification	Quantities	Piece(S)
1	Frame Assembly	497×370×352_φ 19_	1	PCS
2	Clip	φ 13	1	PCS
3	Control Panel		1	PCS
4	Clamp		1	PCS
5	Fuel Tank		1	PCS
6	Washer	φ 6.5×2× φ 25	4	PCS
7	Bolt	M6×40	4	PCS
8	Fuel Cap		1	PCS
9	Engine	NH150-2	1	PCS
10	Front End Cover		1	PCS
11	Bolt	M8×20	4	PCS
12	Alternator		1	PCS
13	Washer	φ 8	1	PCS
14	Washer	φ 8	1	PCS
15	Bolt	M8×190	1	PCS
16	Rear Bracket		1	PCS
17	Plug	Rubber	1	PCS

No.	Part	Specification	Quantities	Piece(S)
18	Bolt	M6×105	4	PCS
19	Bolt	M5×14	5	PCS
20	End Cover		1	PCS
21	Bolt	M5×18	3	PCS
22	Brush		1	PCS
23	Voltage Regulator		1	PCS
24	Washer	φ 5	1	PCS
25	Washer	φ 5	1	PCS
26	Nut	M8	8	PCS
27	Damping Pad		2	PCS
28	Bolt	M8×30	4	PCS
29	Damping Pad		2	PCS
30	Bolt	M6×30	1	PCS
31	Nut	M6	7	PCS
32	Washer		2	PCS
33	Damping Pad	Rubber	4	PCS
34	Screw	M6×12	4	PCS





### Intelligent System

- Able to equip high-tech features such as ATS, Mobile phone controlling and monitoring, remote starting, one key starting

### Extra Large Fuel Tank

- Tank volume 20% bigger, longer working time

### Pointer Type Fuel Level Indicator

- More durability and fuel level accuracy

### Moving Without Gravity

- The generator is easy to move

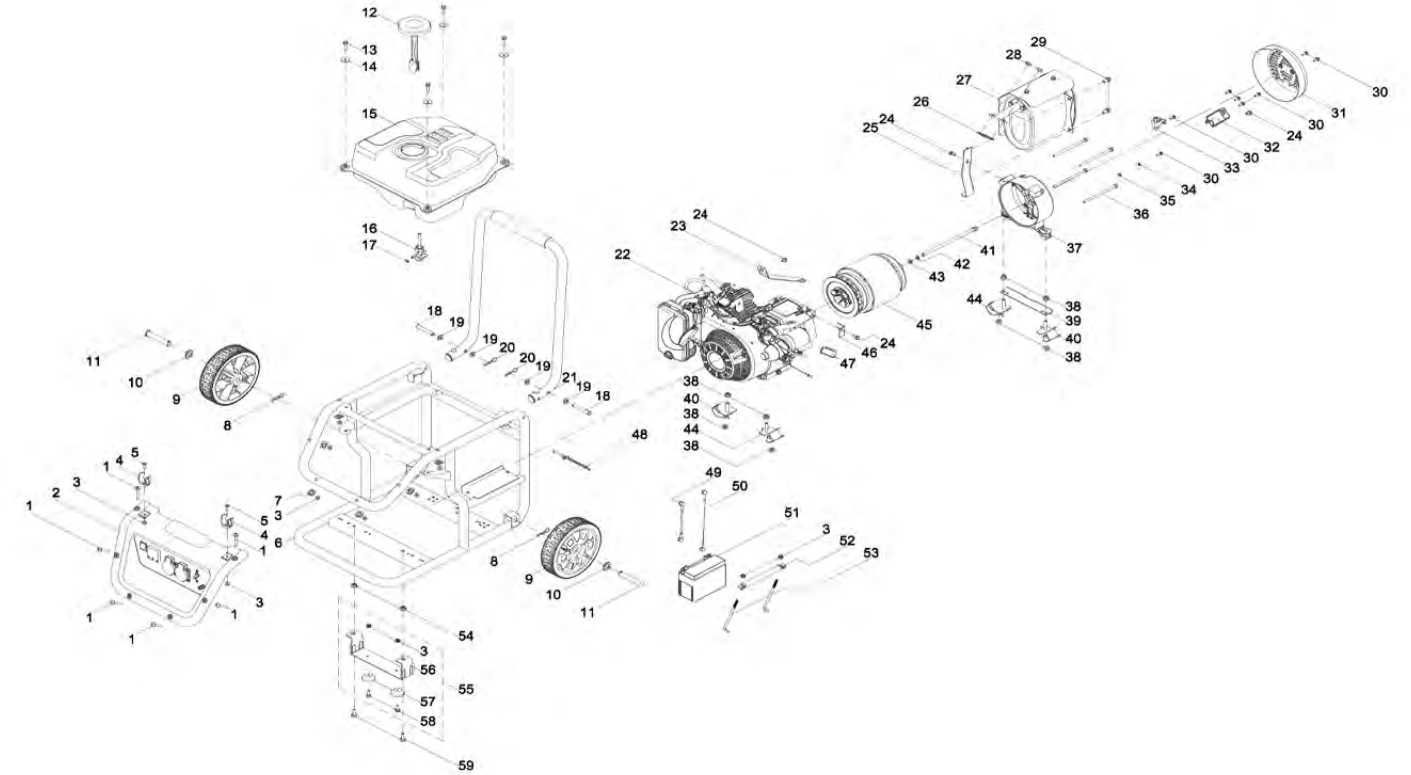
### Smart Throttle

- Fuel consumption saving more than 10%

## Specification

Model	KB2500		KB3300		KB5000E		KB6000E		KB7000E	
<b>Generator</b>										
Starting System	Recoil/Electrical Starting									
Alternator Material	100% Cu									
Frequency (HZ)	50Hz	60Hz	50Hz	60Hz	50Hz	60Hz	50Hz	60Hz	50Hz	60Hz
Voltage(V)	230	120(120/240)	230	120(120/240)	230	120(120/240)	230	120(120/240)	230	120(120/240)
Rated Output (KW)	2	2	2.8	3	4	4.5	5	5.5	6	6.5
Max Output(KW)	2.2	2.2	3	3.3	4.5	5	5.5	6	6.5	7
THD(%)	≤20		≤20		≤25		≤25		≤25	
Running Time At 50% loading(H)	13	13	11.5	8.5	10	9	12	11.5	10.5	10
Fuel Tank Size (L )	13		13		13		28		28	
Noise dB(A)	96		96		97		97		97	
Insulation Grade	F		F		F		F		F	
<b>Engine</b>										
Model	170F		170F		190FE		190FE		190FE	
Engine Type	OHV, Air Cooling, 4 Stroke									
Displacement (cc)	208		208		420		420		420	
<b>Packing Details</b>										
Outside Packing Dimensions (mm) (L xW x H)	635x455x525		635x455x525		740x555x620		740x555x620		740x555x620	
20FT Loading Qty	180pcs		180pcs		102pcs		102pcs		102pcs	
40FT Loading Qty	372pcs		372pcs		198pcs		198pcs		198pcs	
40HQ Loading Qty	465pcs		465pcs		264pcs		264pcs		264pcs	
Net Weight (kg)	42		49		78		79		83	
Certifications	CE+EC	/	CE+EC	/	CE+EC	/	CE+EC	/	CE+EC	/

## Materials Table



No.	Part	Specification	Quantities	Piece(S)
1	Bolt	QF6.0- III ed	6	PCS
2	Control Panel	KB	1	PCS
3	Nut	GB6177.1 M6	12	PCS
4	Circlip	QF2.5- III ED	2	PCS
5	Screw	GB819.2 M6 x 20	2	PCS
6	Frame Assembly	KB2500E	1	PCS
7	Washer		6	PCS
8	Circlip	ZS500	2	PCS
9	Tire		2	PCS
10	Washer	φ 16 x 2.5 x φ 30	2	PCS
11	Pin	GB882 φ 16 x 90	2	PCS
12	Fuel Cap	QF2.5- III ED	1	PCS
13	Bolt	GB5789 M6 x 25	4	PCS
14	Washer	φ 6.5 x 2 x φ 25	4	PCS
15	Fuel Tank	QF2.5- III ED	1	PCS
16	Fuel Switch	QF2.0	1	PCS
17	Clamp	168FA	1	PCS
18	Pin	GB882 φ 10 x 65	2	PCS
19	Nylon Washer	QF5.5	4	PCS
20	Circlip	ZS500	2	PCS
21	Handle	QF2.5- III ED	1	PCS
22	Engine	168FBE-2	1	PCS
23	Air Filter Bracket	QF2.0- II	1	PCS
24	Bolt	GB5789 M6 x 12	4	PCS
25	Muffler Support	QF2.0	1	PCS
26	Gasket, Muffler	168FA	1	PCS
27	Muffler	PB2500	1	PCS
28	Nut	GB6170 M8	2	PCS
29	Bolt	GB5787 M8 x 16	2	PCS

No.	Part	Specification	Quantities	Piece(S)
30	Bolt	GB5789 M5 x 14	8	PCS
31	End Cover	QF2.0	1	PCS
32	Voltage Regulator	QF2.0	1	PCS
33	Brush	QF2.0	1	PCS
34	Washer	GB93 φ 6	1	PCS
35	Washer	GB97.2 φ 6	1	PCS
36	Bolt	GB5789 M6 x 155	4	PCS
37	Rear Bracket	QF2.0	1	PCS
38	Nut	GB6177.1 M8	8	PCS
39	Reinforcement Support	QF2.0	1	PCS
40	Damping Pad	QF2.0	2	PCS
41	Bolt	GB5789 M8 x 1 x 210	1	PCS
42	Washer	GB93 φ 8	1	PCS
43	Washer	GB97.2 φ 8	1	PCS
44	Damping Pad	QF2.0	2	PCS
45	Alternator	PB3000	1	PCS
46	Support Block	QF2.0	1	PCS
47	Clip		1	PCS
48	Pin	QF5.0-ED	1	PCS
49	Cathode Wire	173FE	1	PCS
50	Anode Wire	168FAE	1	PCS
51	Battery		1	PCS
52	Binder Plate	X-MAN3	1	PCS
53	Bolt	QF2.5-E	2	PCS
54	Nut	GB6177.1 M8	2	PCS
55	Support Base	KB2500E	1	PCS
56	Support Base	QF2.5- III ED	1	PCS
57	Damping Pad	QF3.0	2	PCS
58	Bolt	GB5789 M6 x 18	2	PCS





### Whole Curved Surface Design

- High strength fuel tank can bear up to 100kg weight

### Robot Welding Frame

- To ensure appearance consistency, less welding mark

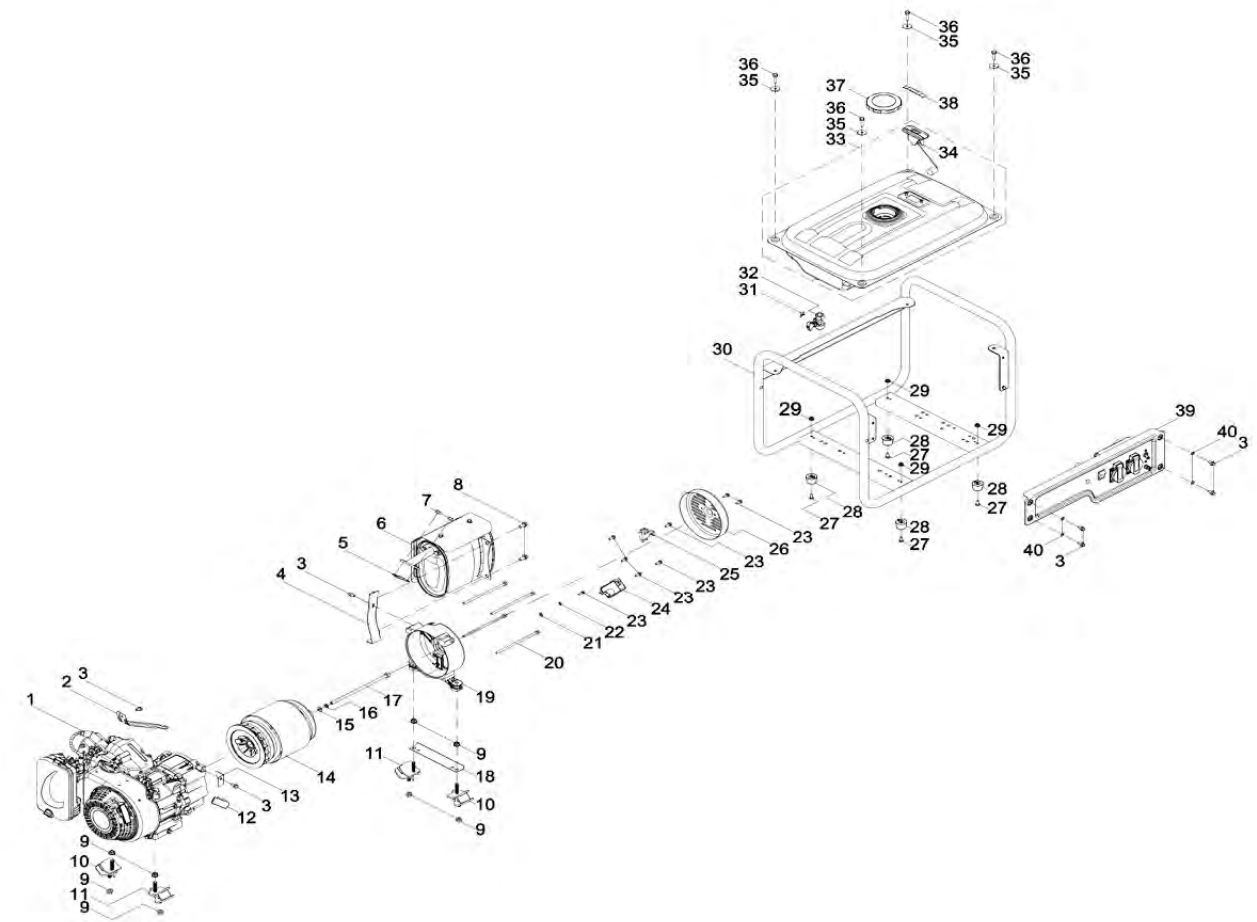
### Less is More

- Simple design with all the necessary functions

## Specification

Model	PB2500A		PB3300A		PB5000EA		PB6000EA		PB7000EA	
	<b>Generator</b>									
Starting System	Recoil/Electrical Starting									
Alternator Material	100% Cu									
Frequency (HZ)	50Hz	60Hz	50Hz	60Hz	50Hz	60Hz	50Hz	60Hz	50Hz	60Hz
Voltage(V)	230	120(120/240)	230	120(120/240)	230	120(120/240)	230	120(120/240)	230	120(120/240)
Rated Output (KW)	2	2	2.8	3	4	4.5	5	5.5	6	6.5
Max Output(KW)	2.2	2.2	3	3.3	4.5	5	5.5	6	6.5	7
THD(%)	≤20		≤20		≤25		≤25		≤25	
Running Time At 50% loading(H)	13	13	11.5	8.5	10	9	10	9.5	8.5	8
Fuel Tank Size (L )	13		13		13		23		23	
Noise dB(A)	96		96		97		97		97	
Insulation Grade	F		F		F		F		F	
	<b>Engine</b>									
Model	170F		170F		190FE		190FE		190FE	
Engine Type	OHV, Air Cooling, 4 Stroke									
Displacement (cc)	208		208		420		420		420	
	<b>Packing Details</b>									
Outside Packing Dimensions (mm) (L xW x H)	610x450x475		610x450x475		775x545x605		775x545x605		775x545x605	
20FT Loading Qty	240pcs		240pcs		96pcs		96pcs		96pcs	
40FT Loading Qty	490pcs		490pcs		192pcs		192pcs		192pcs	
40HQ Loading Qty	490pcs		490pcs		256pcs		256pcs		256pcs	
Net Weight (kg)	39		46		78		79		83	
Certifications	CE+EC	/	CE+EC	/	CE+EC	/	CE+EC	/	CE+EC	/

## Materials Table



No.	Part	Specification	Quantities	Piece(S)
1	Engine		1	PCS
2	Air Filter Bracket	QF2.0- II	1	PCS
3	Bolt	GB5789 M6 x 12	7	PCS
4	Muffler Support	QF2.0	1	PCS
5	Gasket, Muffler	168FA	1	PCS
6	Muffler	PB2500	1	PCS
7	Nut	GB6170 M8	2	PCS
8	Bolt	GB5787 M8 x 16	2	PCS
9	Nut	GB6177.1 M8	8	PCS
10	Damping Pad	QF2.0 NR	2	PCS
11	Damping Pad	QF2.0 NR	2	PCS
12	Clip		1	PCS
13	Support Block	QF2.0	1	PCS
14	Alternator	PB3000	1	PCS
15	Washer	GB97.2 φ8	1	PCS
16	Washer	GB93 φ8	1	PCS
17	Bolt	GB5789 M8 x 1 x 210	1	PCS
18	Reinforcement Support	QF2.0	1	PCS
19	Rear Bracket	QF2.0	1	PCS
20	Bolt	GB5789 M6 x 155	4	PCS

No.	Part	Specification	Quantities	Piece(S)
21	Washer	GB97.2 φ6	1	PCS
22	Washer	GB93 φ6	1	PCS
23	Bolt	GB5789 M5 x 14	8	PCS
24	Voltage Regulator	QF2.0 200V~300V	1	PCS
25	Brush	QF2.0	1	PCS
26	End Cover	QF2.0	1	PCS
27	Screw	GB818 M6 x 12	4	PCS
28	Damping Pad	QGZ50-32	4	PCS
29	Nut, M6	GB6177.1 M6	4	PCS
30	Frame Assembly	PBA	1	PCS
31	Clamp	168FA	1	PCS
32	Fuel Switch	QF2.0	1	PCS
33	Fuel Tank	PH3500EA	1	PCS
34	Fuel Meter	PH3500EA	1	PCS
35	Washer	φ6.5 x 2 x φ25	4	PCS
36	Bolt	GB5789 M6 x 25	4	PCS
37	Fuel Cap	QF5.0	1	PCS
38	Oil Sense Clip	QF2.0- II	1	PCS
39	Control Panel	PB3000A	1	PCS
40	Gasket, Drain Bolt	168FA	4	PCS





### Easy Maintenance and Repairing

- All function keys are on one surface

### Stronger Frame

- Welded only with two frame tubes, less weld more durability

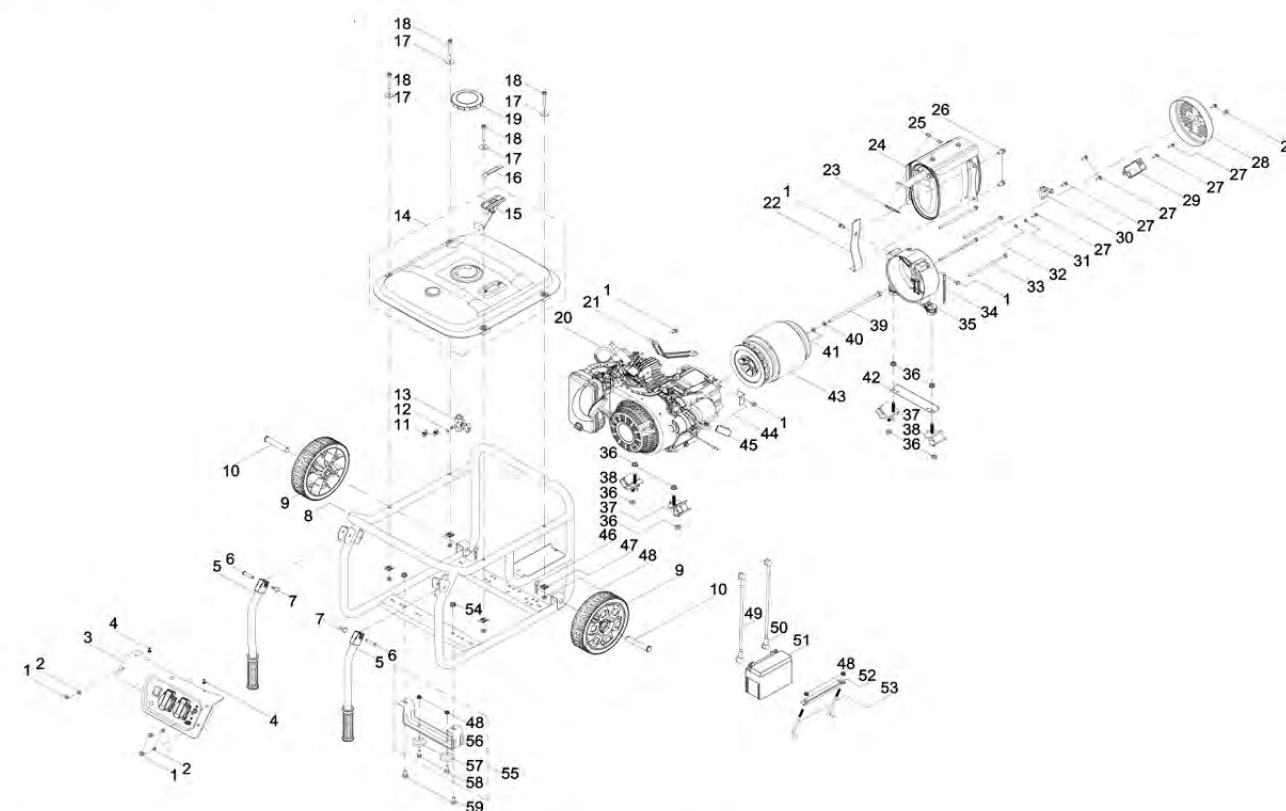
### Easier Battery Maintenance

- Battery is stationed in the upper part of frame, no need to crouch to reach battery

## Specification

Model	LB2500	LB3300	LB5000E	LB6000E	LB7000E					
<b>Generator</b>										
Starting System	Recoil/Electrical Starting									
Alternator Material	100% Cu									
Frequency (HZ)	50Hz	60Hz	50Hz	60Hz	50Hz	60Hz	50Hz	60Hz	50Hz	60Hz
Voltage(V)	230	120(120/240)	230	120(120/240)	230	120(120/240)	230	120(120/240)	230	120(120/240)
Rated Output (KW)	2	2	2.8	3	4	4.5	5	5.5	6	6.5
Max Output(KW)	2.2	2.2	3	3.3	4.5	5	5.5	6	6.5	7
THD(%)	≤20		≤20		≤25		≤25		≤25	
Running Time At 50% loading(H)	11	11	9.5	8.5	8	7.5	9	8.5	8	7.5
Fuel Tank Size (L )	11		11		11		21		21	
Noise dB(A)	96		96		97		97		97	
Insulation Grade	F		F		F		F		F	
<b>Engine</b>										
Model	170F	170F	190FE	190FE	190FE					
Engine Type	OHV, Air Cooling, 4 Stroke									
Displacement (cc)	208	208	420	420	420					
<b>Packing Details</b>										
Outside Packing Dimensions (mm) (L xW x H)	665x450x475	665x450x475	715x545x605	715x545x605	715x545x605					
20FT Loading Qty	215pcs	215pcs	102pcs	102pcs	102pcs					
40FT Loading Qty	440pcs	440pcs	198pcs	198pcs	198pcs					
40HQ Loading Qty	440pcs	440pcs	264pcs	264pcs	264pcs					
Net Weight (kg)	39	46	82	83	83					
Certifications	CE+EC	/	CE+EC	/	CE+EC	/	CE+EC	/	CE+EC	/

## Materials Table



No.	Part	Specification	Quantities	Piece(S)
1	Bolt	GB5789 M6 x 12	7	PCS
2	Gasket, Drain Bolt	168FA	3	PCS
3	Nut,	GB6177.1 M6	1	PCS
4	Rubber Pad	LH3500E	2	PCS
5	Handle	LH3500E	2	PCS
6	Pin	GB882 φ 8 x 40	2	PCS
7	Circlip	ZS500	2	PCS
8	Frame Assembly	LH3500E	1	PCS
9	Tire		2	PCS
10	Pin	φ 16 x 85	2	PCS
11	Clip	1P70F	2	PCS
12	Clamp	168FA	1	PCS
13	Fuel Switch	QF2.0	1	PCS
14	Fuel Tank	LH3500E	1	PCS
15	Fuel Meter	LH3500E	1	PCS
16	Oil Sense Clip	QF2.0- II	1	PCS
17	Washer	φ 6.5 x 2 x φ 25	4	PCS
18	Bolt	GB5789 M6 x 45	4	PCS
19	Fuel Cap	QF5.0	1	PCS
20	Engine		1	PCS
21	Air Filter Bracket	QF2.0- II	1	PCS
22	Muffler Support	QF2.0	1	PCS
23	Gasket, Muffler	168FA	1	PCS
24	Muffler	PB2500	1	PCS
25	Nut	GB6170 M8	2	PCS
26	Bolt	GB5787 M8 x 16	2	PCS
27	Bolt	GB5789 M5 x 14	8	PCS
28	End Cover	QF2.0	1	PCS
29	Voltage Regulator	QF2.0	1	PCS
30	Brush	QF2.0	1	PCS

No.	Part	Specification	Quantities	Piece(S)
31	Washer	GB93 φ 6	1	PCS
32	Washer	GB97.2 φ 6	1	PCS
33	Bolt	GB5789 M6 x 155	4	PCS
34	Clip	B	1	PCS
35	Rear Bracket	QF2.0	1	PCS
36	Nut	GB6177.1 M8	8	PCS
37	Damping Pad	QF2.0 NR	2	PCS
38	Damping Pad	QF2.0 NR	2	PCS
39	Bolt,	GB5789 M8 x 1 x 210	1	PCS
40	Washer	GB93 φ 8	1	PCS
41	Washer	GB97.2 φ 8	1	PCS
42	Washer	GB93 φ 8	1	PCS
43	Washer	GB97.2 φ 8	1	PCS
44	Support Block	QF2.0	1	PCS
45	Clip		1	PCS
46	Circlip	ZS500	2	PCS
47	Washer		4	PCS
48	Nut	GB6177.1 M6	8	PCS
49	Anode Wire		1	PCS
50	Cathode Wire		1	PCS
51	Battery		1	PCS
52	Binder Plate	X-MAN3	1	PCS
53	Bolt	QF2.5-E	2	PCS
54	Nut	GB6177.1 M8	2	PCS
55	Support Base	KB2500E	1	PCS
56	Support Base	QF2.5- III ED	1	PCS
57	Damping Pad	QF3.0	2	PCS
58	Bolt	GB5789 M6 x 18	2	PCS
59	Bolt	GB5789 M8 x 16	2	PCS



## Pump Range



- Peripheral Pump



- Self-Priming Peripheral Pump



- Jet Pump



- Jet Pump for Deep Wells



- Centrifugal Pump



- Multistage Centrifugal Pump



- Self-Priming Centrifugal Pump



- Stainless Steel Multistage Centrifugal Pump



- Stainless Steel Centrifugal Pump



- Submersible Pump



- Stainless Steel Submersible Pump



- Stainless Steel Submersible Sewage Pump



- Flexible Shaft Pump



- Domestic Lifting Station



- Pool Pump



- Garden Submersible Pump



- Garden Jet Pump



- Pressure Booster System



- Fountain Pump



- Standard Centrifugal Pump



- Submersible Borehole Pump



- Gasoline/Diesel Water Pump



- Booster Pump/Circulation Pump

## Pump Range



- Submersible Sewage Pump



- Submersible Sewage Pump



- Submersible Dewatering Pump



- Submersible Slurry Pump



- Stainless Steel Vertical Multistage Pump



- Stainless Steel Horizontal Multistage Pump



- Semi-open Impeller Stainless Steel Centrifugal Pump



- Stainless Steel Standard Centrifugal Pump



- Pressure Booster System



- Vertical In-line Pump



- Bare Shaft End Suction Centrifugal Pump



- End Suction Centrifugal Pump